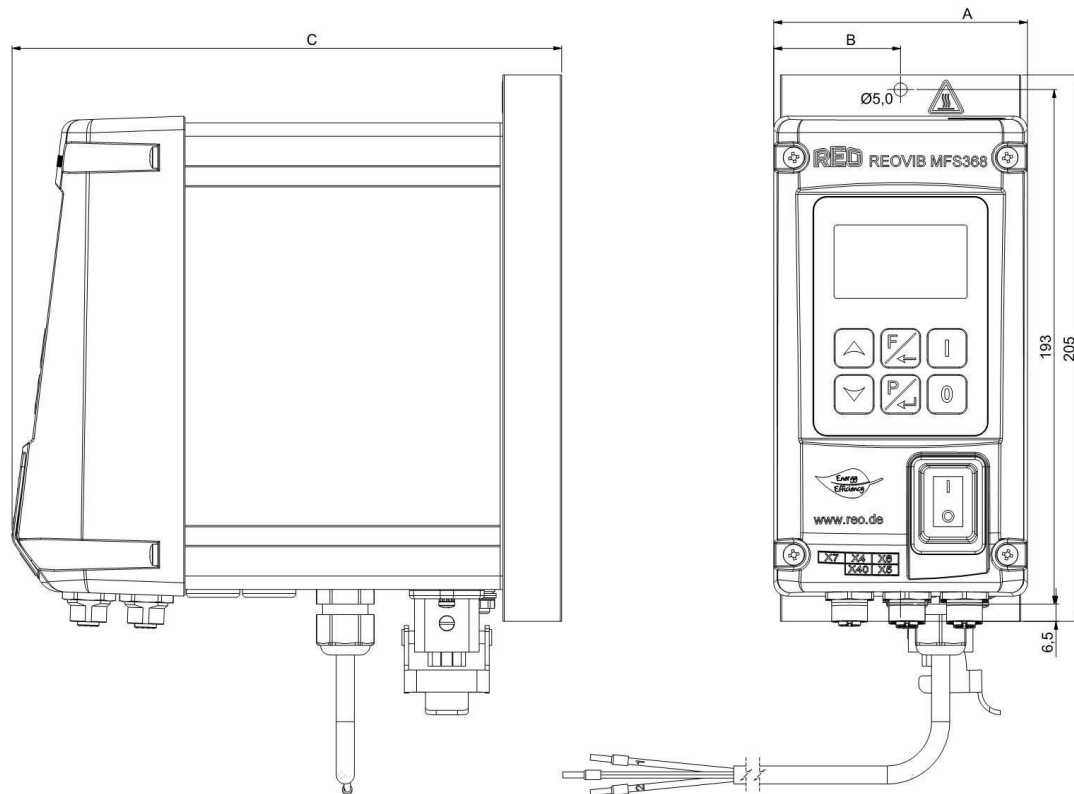
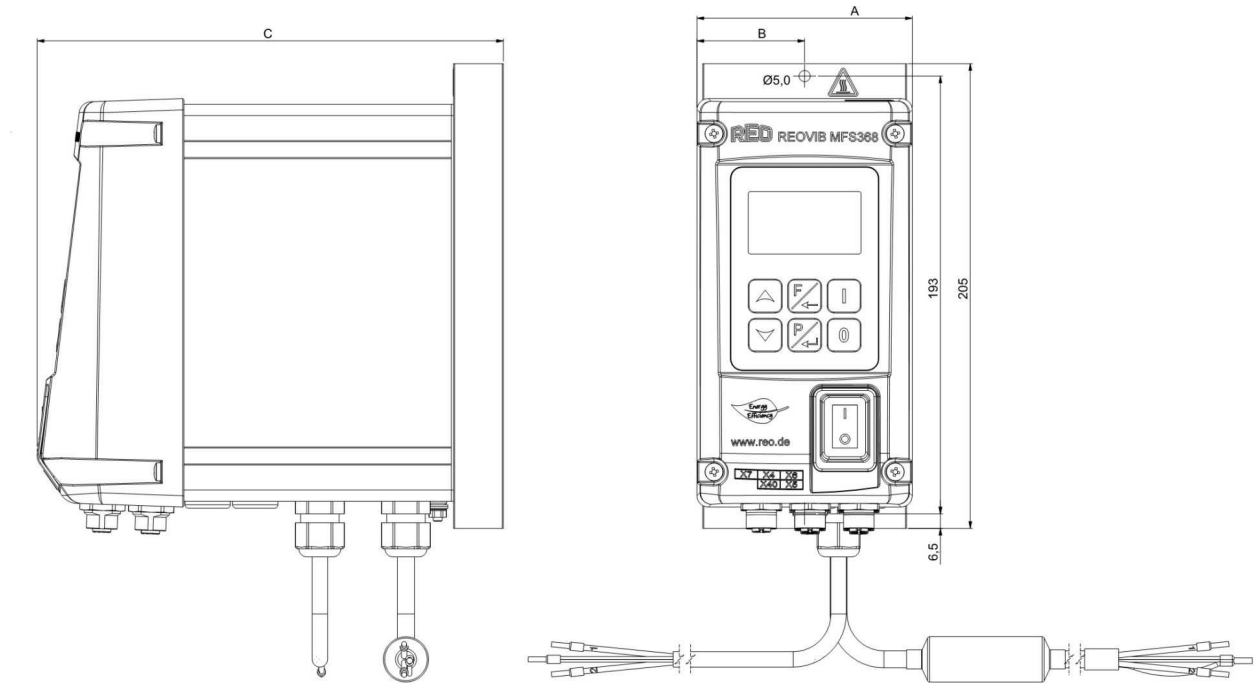
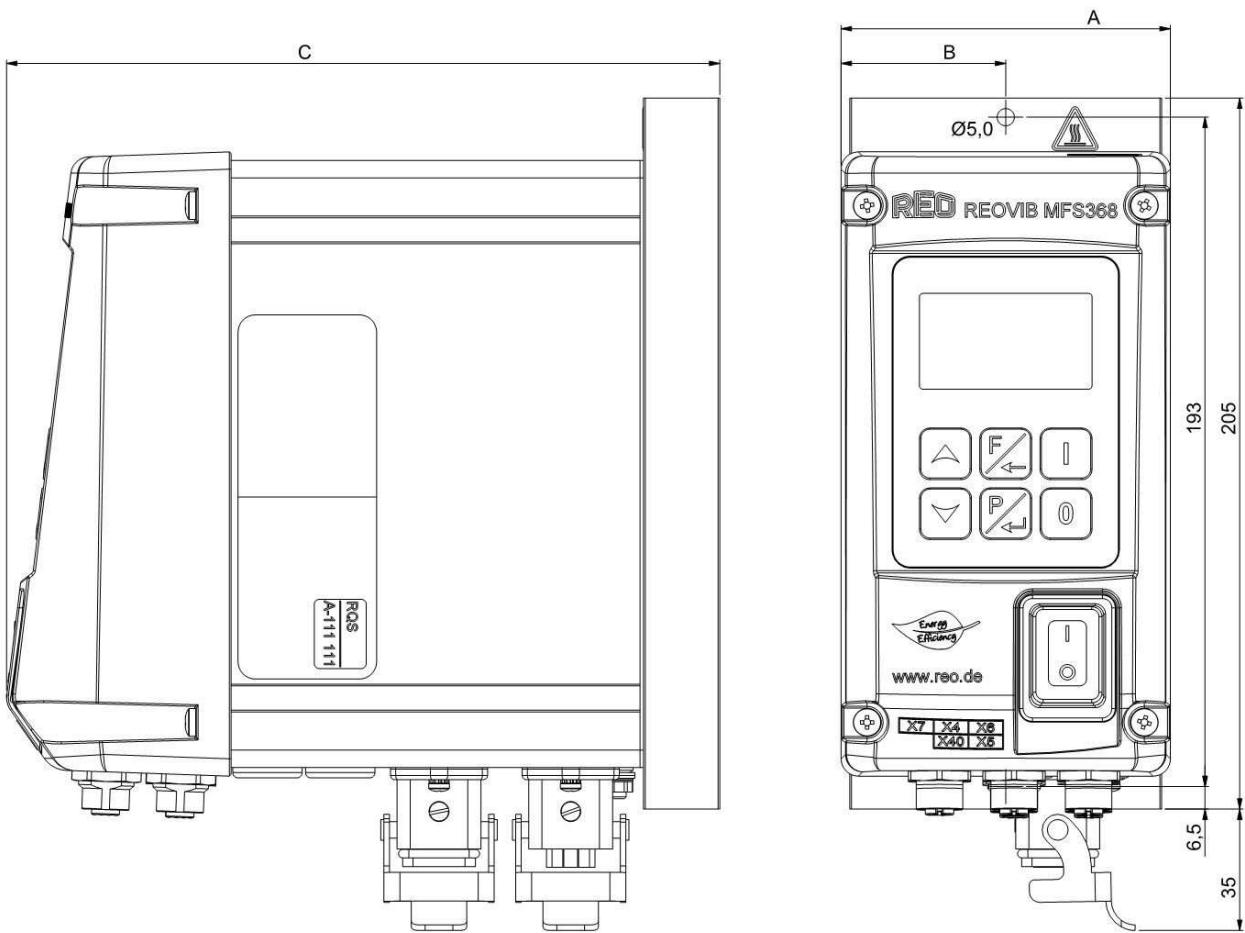


13.0 Dimension drawing

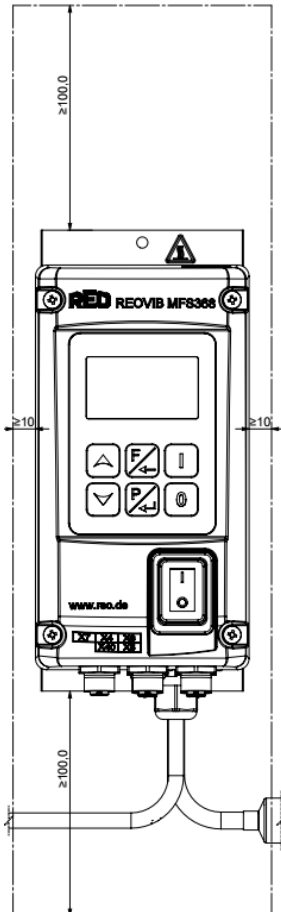
Housing versions



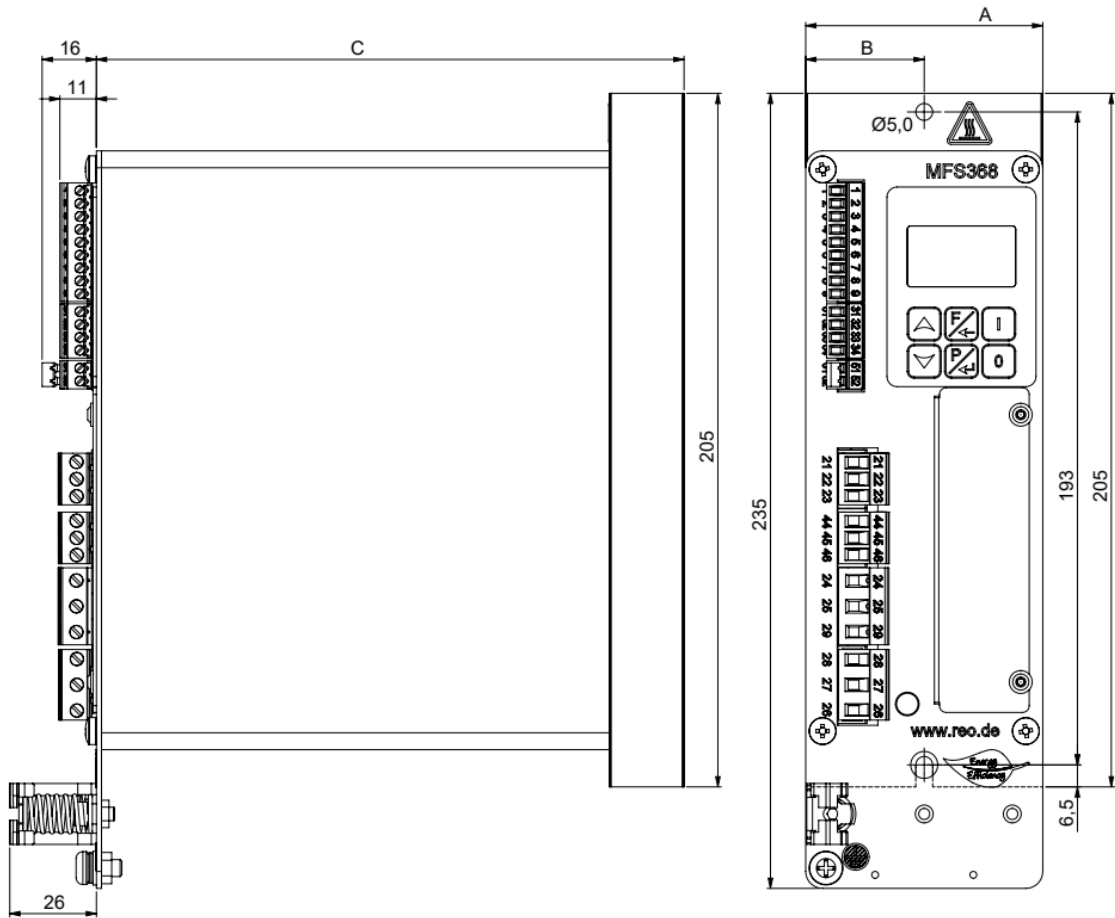
	3A	6A	8A
A	95	95	100
B	47,5	47,5	50
C	187	206	224



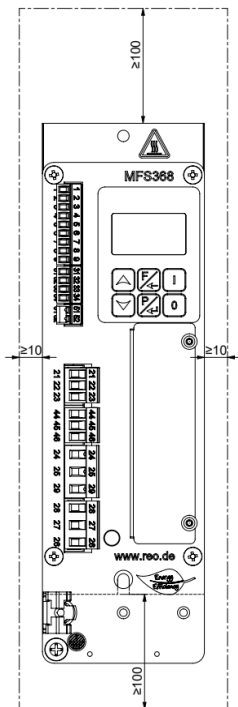
Installation clearances



Control cabinet version



Installation clearances



	3A	6A	8A
A	70	70	100
B	35	35	50
C	155	174	192

All dimensions in [mm]

14.0 Assembly instruction

Only suitable for mounting on concrete or other **non-combustible** surfaces.
The screws (M4) may be tightened with a maximum of 2.5 Nm.

